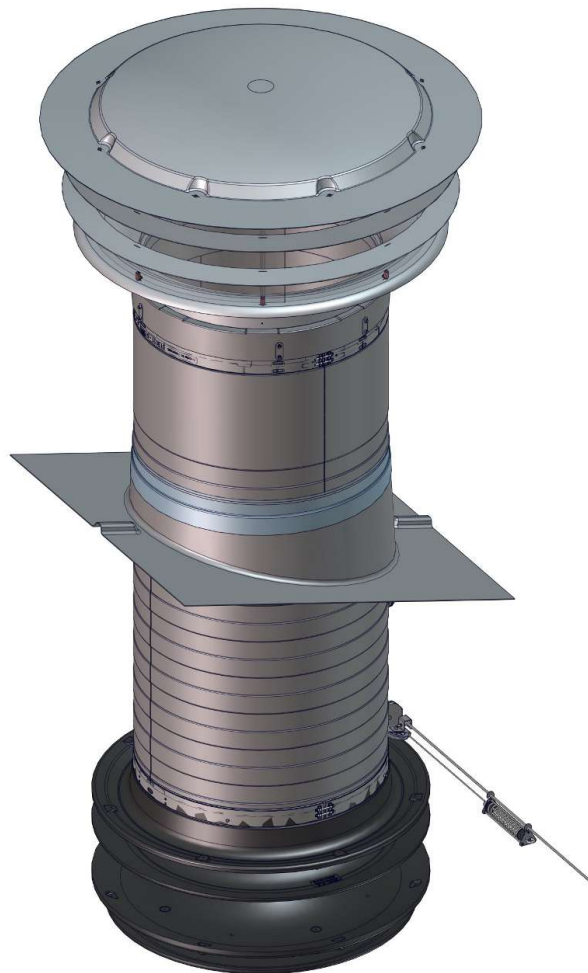


DA 60-920

Air Supply Unit

Technical Info



1	Product description	3
2	Product survey	4
2.1	Above roof	5
2.2	Lead-through	6
2.3	Attic/section	7
2.4	Inlet	8
3	Technical data	10
3.1	DA 60-920	10
3.2	Dimensioned sketch	11
3.2.1	DA 60-920	11

1 Product description

DA 60-920 is an air intake that combines high output with low air speed in the animal zone.

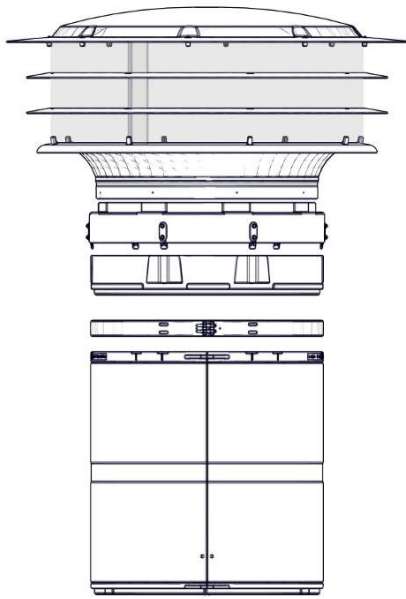
The DA 60-920 supplies up to 20,000 m³/h at 40 Pa negative pressure. The high output is created without using a fan.

The DA 60-920 has an opening system ensuring that the air supply unit opens uniformly all around, which guarantees a uniform distribution of air throughout the livestock house.

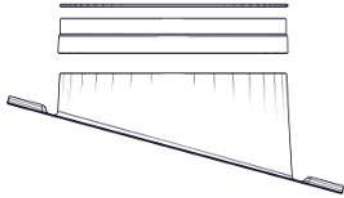
The system can be set to the air jet range required for the current time of year. In this way it is always possible to create a combination of negative pressure and opening that provides the desired relation between output and air speed.

The DA 60 air supply unit is cast in polyurethane with good insulation properties, and the metal parts are made from stainless steel A2.

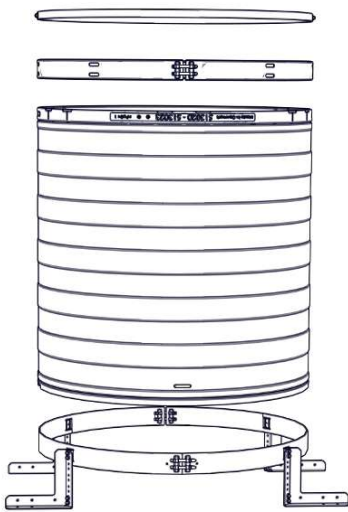
2 Product survey



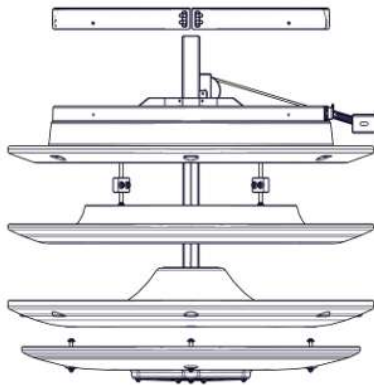
Above roof



Lead-through

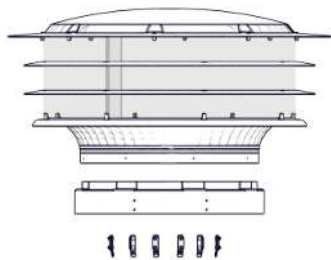


Attic/section



Inlet

2.1 Above roof



433479 DA 60-920 roof cap complete, gray
433579 DA 60-920 roof cap complete, black

Is used for air inlet above the roof.

A rain screen is mounted on the net for protection from rain. The top of the bell mouth is designed so that water running down along the net is always led out to the roof.

The bell mouth and roof cap are made from weather resistant fiber glass. The net is hot-dip galvanized with a net of 10x25 mm and a height of 350 mm.

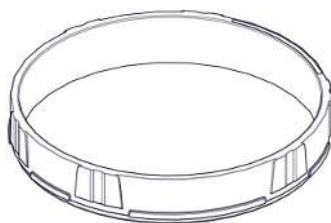
DA 60-920 is supplied unassembled.



433489 DA 60-920 rain screen for roof cap, gray
433589 DA 60-920 rain screen for roof cap, black

As standard DA 60 is supplied with 2 rain screens on the roof cap.

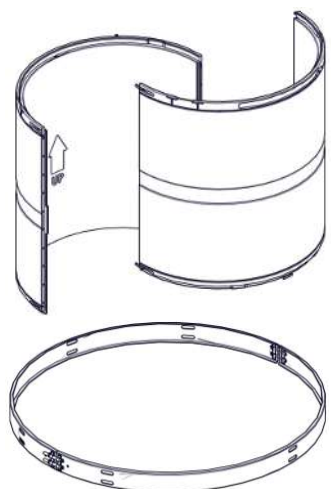
Extra rain screens can be purchased in cases where further reduction of ingress of rainwater and snow is required.



434155 DA 920 duct end, black

Used at transition to roof cap, bell mouth or duct end.

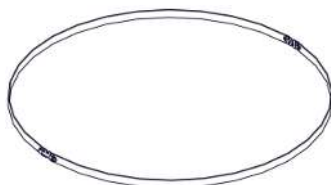
Use 1 for each DA 60-920 roof inlet.



434157 DA 920 duct 1000 mm, gray
434160 DA 920 duct 1000 mm, black
434158 DA 920 duct 1500 mm, gray
434161 DA 920 duct 1500 mm, black

The DA 920 ducts are available in two different lengths, 1000 and 1500 mm respectively.

The duct is supplied with DA 920 duct connector and a mounting set for connection of ducts.



434162 DA 920 support ring, A2

One support ring should be used for each DA 920 duct.

On ducts with anchoring (434142) the support ring can be omitted.

2.2 Lead-through



530155 Joint sealer, Sikaflex 221, gray 300ml
530156 Joint sealer, Sikaflex 221, black 300ml

Used for sealing ducts.

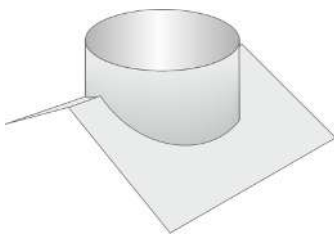
1 per 20 DA 920.



434118 DA 920 sealing band, gray
434119 DA 920 sealing band, black

DA 920 sealing band (3250x156 mm) are always used as a transition between the DA 920 duct and DA 920 roofing sheet.

1 per DA 920 roofing sheet.



434107 DA 920 roofing sheet ridge gray

The roofing sheet is used for mounting on the ridge and is available in different versions in terms of roofing sheet types and pitches.

It is always to be used if the DA 920 is to be mounted on the ridge.

Remember to always order sealing bands (434118, 434119).



434106 DA 920 roofing sheet, gray
434116 DA 920 roofing sheet, black

The roof sheet is designed for side mounting and is available in different versions in terms of roof sheet types and pitches.

This solution is recommended when side mounting on roofs that do not use steel sheet, for example on asbestos roofs.

Remember to always order sealing bands (434118, 434119).

If using DA 920 roofing sheet with smooth sides there is also a need for using flex flashing for smooth side roofing sheets (433099, 433093).



433093 Flex flashing roofing sheet side flat, gray
433099 Flex flashing roofing sheet side flat, black

The flex flashing (1925x470) is always used for transition between the roofing sheet of the building and DA 920 smooth side roofing sheets.

Contains flex flashing, supports and construction adhesive.

1 per DA 920 smooth side roofing sheet.



433094 Flex flashing f. steel sheet roof, gray
433096 Flex flashing f. steel sheet roof, black

The flex flashing is always used for steel roofing sheets at the transition between the building's steel roof and side mounted DA 920.

Contains flex flashing, supports and construction adhesive.

1 per DA 920.



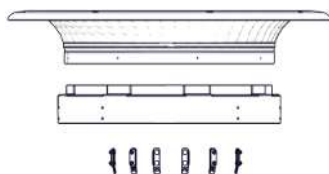
433493 Roof cloth neoprene 1.9 x 1.7m

An inexpensive alternative to the roofing sheet side or flex flashing. Neoprene cloths can be used at the transition between the building's roofing sheets and side mounted exhaust units/roof inlets.

Supplied with joint sealer and screws.

1 per exhaust unit/roof inlet.

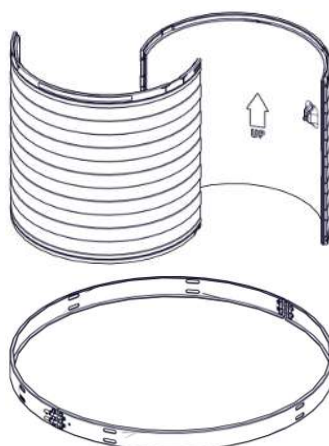
2.3 Attic/section



433482 DA 60-920 bell mouth, gray

433582 DA 60-920 bell mouth, black

Used for attic air intakes.



434156 DA 920 duct for fan 1000 mm, gray

434159 DA 920 duct for fan 1000 mm, black

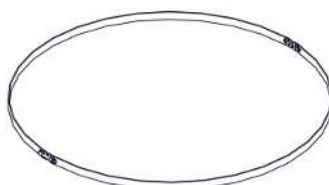
434167 DA 920 duct for fan 1500 mm, gray

434168 DA 920 duct for fan 1500 mm, black

DA 920 duct with shoe for suspension of fan unit.

The DA 920 ducts are available in two different lengths, 1000 and 1500 mm respectively.

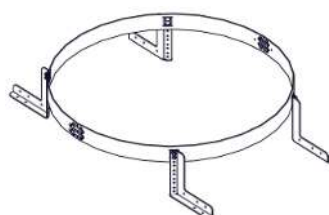
The duct is supplied with DA 920 duct connector and a mounting set for connection of ducts.



434162 DA 920 support ring, A2

One support ring should be used for each DA 920 duct.

On ducts with anchoring (434142) the support ring can be omitted.



434142 DA 920 anchorage for duct, A2

Used for lead-through in ceilings, that is, where the ceiling does not go all the way up to the ridge and where the duct height over the roofing sheet is from 0 to 2.5 m.



434165 DA 920 fitting for wire suspension

In livestock houses without an attic, that is where the ceiling ends in the ridge (ceiling = roof), this kit should be used for suspension of duct/fan in the roof construction.

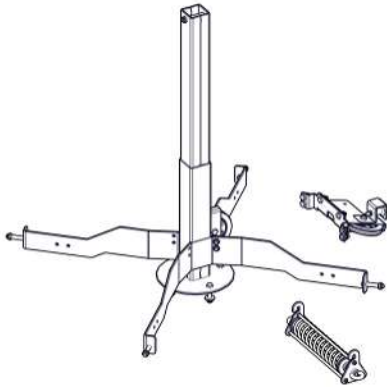
2.4 Inlet



433520 DA 60-920 outlet funnel Free Flow, black

The outlet funnel and the bottom plate are made from polyurethane with a material thickness of 30mm to counteract condensation.

Always remember to order DA 60-920 exhaust, Free Flow, accessories (433519).



433519 DA 60-920 exhaust Free Flow, accessories

The pulling system and wire are delivered unassembled.



433521 DA 60-920 intermediate plate, black

Is supplied complete with control levers for 150mm opening.

Approx 50% of the air is led out onto the intermediate plate which reduces the air velocity out of the air supply unit and thus also the velocity at the floor.

The intermediate plate is supplied unassembled.



433522 DA 60-920 recirculation fan, black

Current consumption 0.62 A.

If there are large temperature differences, poor Coanda-effect by the ceiling, or if free air direction is used, a recirculation fan may lessen the effect of inappropriate down draft.

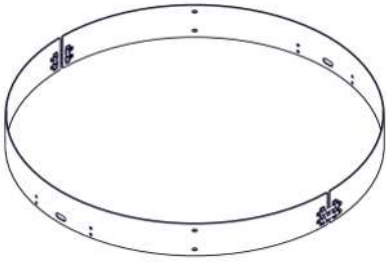
Complete with recirculation fan, capacitor and connection box.

The recirculation fan is delivered unassembled.



433523 DA 60-920 clamp with collar

To be used for transition to DA 920 ducts.

**433524 DA 60-920 clamp straight**

To be used for transition to ducts from other suppliers.

3 Technical data

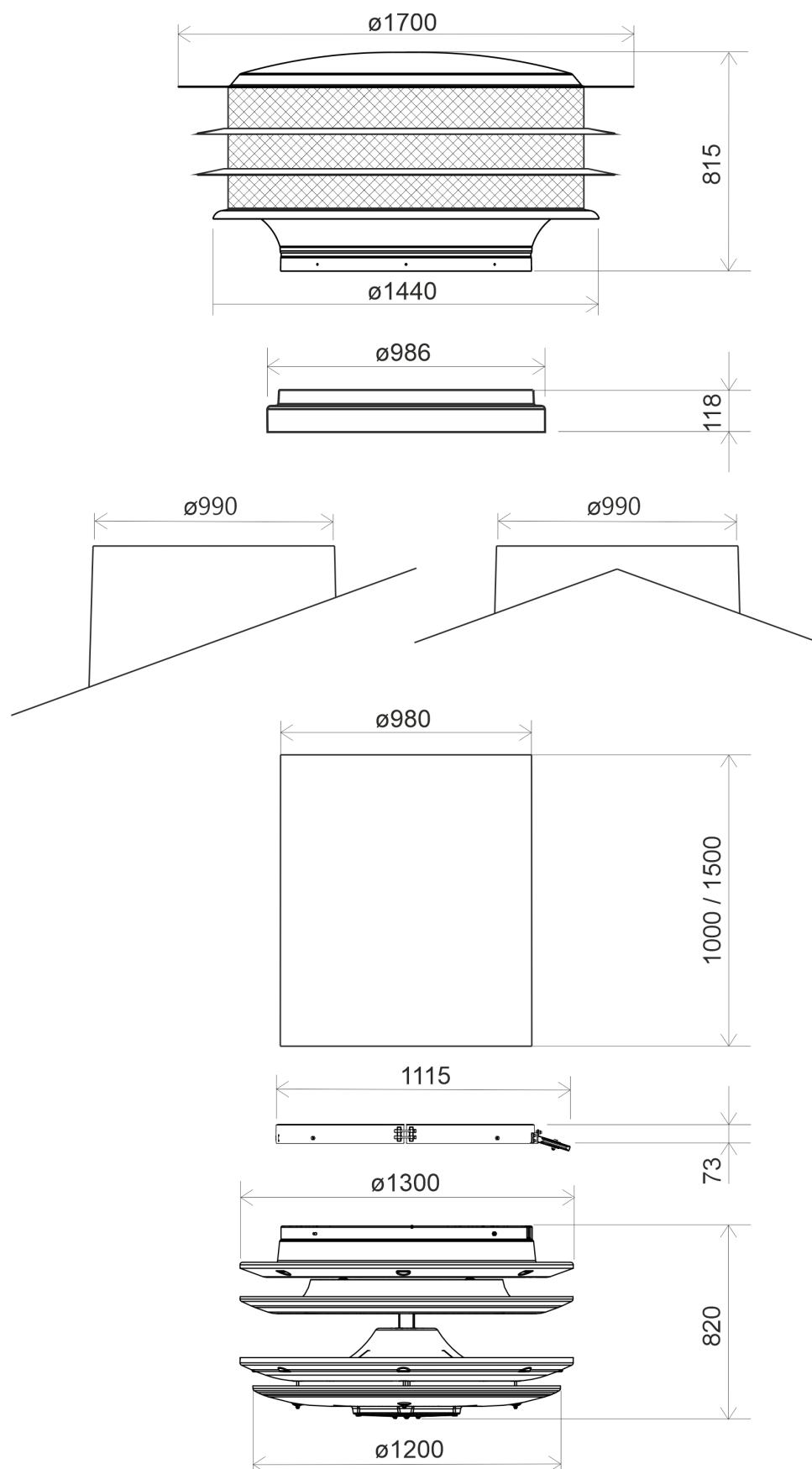
3.1 DA 60-920

Electric recirculation fan			
Rated voltage	V AC	230 +/- 10%	
Operating voltage	V AC	175 – 280	
Frequency	Hz	50 / 60	
Max. power consumption At 230 V AC supply	A	0.62	
Max. input power (P1)	W	120	
Revolutions per minute	RPM	1440	
Air output	m ³ /h	2200	
Mechanical			
Material		PUR/fibreglass	
Band		Stainless steel A2	
Color		RAL 7035/RAL 9005/black	
Hole diameter	mm	920	
Tensile length	mm	420	
Tensile force			
Outlet	kg	10.5	
Outlet and intermediate plate	kg	14.5	
Outlet and recirculation fan	kg	20.5	
Outlet, intermediate plate and recirculation fan	kg	24.5	
DA 60-920 output			
		DA 60-920 with intermediate plate	DA 60-920 without intermediate plate
Air output at -10 Pa	m ³ /h	10000	8800
Air output at -20 Pa	m ³ /h	14150	12450
Air output at -30 Pa	m ³ /h	17350	15250
Air output at -40 Pa	m ³ /h	20000	17600
Testing body		SKOV A/S	
Environment			
Temperature, operation	°C	÷ 40 to + 40	
Start temperature	°C	÷ 40 to + 50	
Storage temperature	°C	÷ 40 to + 65	
Ambient humidity, operation	% RH	10 - 95	
Protection class	IP	Fan: IP 54	

3.2 Dimensioned sketch

3.2.1 DA 60-920

Dimensions in mm.



SKOV A/S • Hedelund 4 • Glyngøre • DK-7870 Roslev
Tel. +45 72 17 55 55 • www.skov.com • E-mail: skov@skov.dk

