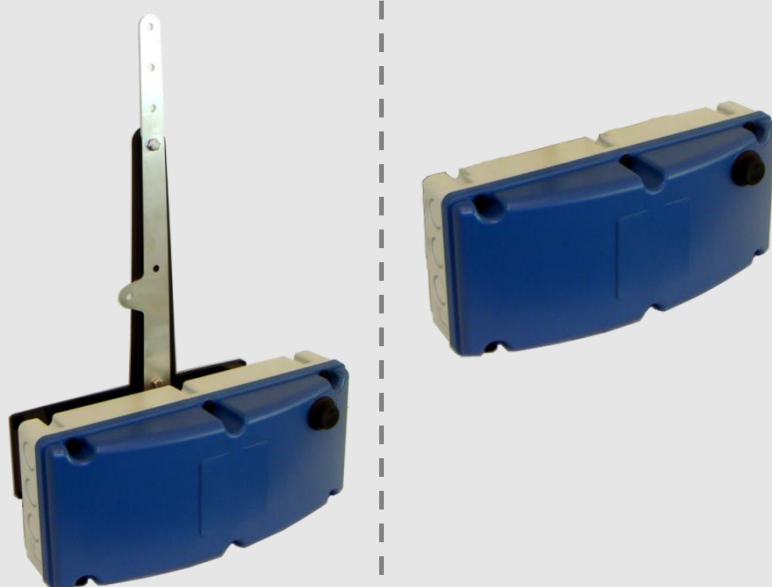


DA 74C Winch Motor

Technical Info



1 Product description

1.1 DA 74C

DA 74C is a winch motor for regulation of swivel shutters in livestock house ventilation systems.

- DA 74CV is for stepless (variable) regulation. V = Variable.
- DA 74CO is for ON/OFF regulation. O = ON/OFF.

DA 74C can be mounted directly on the swivel shutter shaft and operated manually. DA 74 has been developed specifically for installation in the very harsh house environment.

The DA 74C supports MultiStep.

When using MultiStep, the fan and shutter are controlled in two ways: one fan is stepless, and the rest are ON/OFF. Compared to pure stepless control, a significant energy saving is achieved - without affecting climate stability.

The shutter is controlled by 24V DC, ensuring safe emergency opening in case of a power failure or other failure.

For the stepless exhaust unit, the shutter and fan are controlled directly from the controller. For the ON/OFF units, the fan is indirectly controlled by the shutter, which, with a switch, starts the fan. In the housing, there is room for a contactor for the use of 3-phase fans, or optionally, a capacitor for 1-phase fans.



1.2 DA 74BC

DA 74BC is a 24V winch motor with a wall fitting and an arm which is used to adjust wall inlets, ceiling inlets or emergency opening of windows and doors in houses.

DA 74BC can be mounted for either ON/OFF or stepless regulation and is controlled by a controller.

DA 74BC is controlled by 24V DC, ensuring safe emergency opening in case of a power failure or other failure.

DA 74BC is easy to clean thanks to its compact design.



2 Product survey



432070 DA 74CV winch motor stepless

DA 74CV is used to control swivel shutters in stepless chimneys. One DA 74CV can control several mechanically connected shutters. DA 74CV has a built-in relay for fan control. DA 74CV is relay-controlled. DA 74CV is mounted on the bell mouth, as standard; however, it can also be mounted in a duct by means of accessories.

Please note if a contactor is required, cf. item number 280060.



432080 DA 74CO winch motor ON/OFF

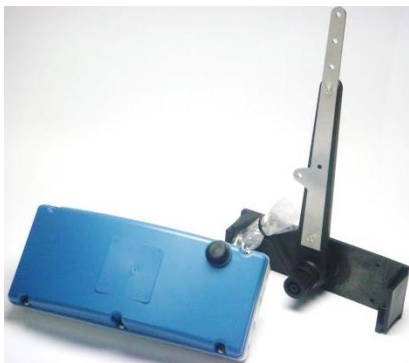
DA 74CO is used to control swivel shutters in ON/OFF chimneys in MultiStep systems. One DA 74CO can control several mechanically connected shutters. DA 74CO has a built-in relay for fan control. DA 74CO is relay-controlled. DA 74CO is mounted on the bell mouth, as standard; however, it can also be mounted in a duct by means of accessories.

Please note if a contactor is required, cf. item number. 280060.



280060 Contactor tripolar 400V, 230V 50/60 Hz

The contactor is required when a 3-phase (400V) fan is used together with DA 74CO/DA 74CV and the fan is not adjustable. That is when the fan is used as ON/OFF, you have to acquire one contactor for each DA 74CO/DA 74CV.



432081 DA 74BC winch motor incl. wall bracket 24 V

DA 74BC is used for regulating wall inlets, ceiling inlets, or emergency opening of windows. DA 74BC is mounted directly on the wall in the house section. It can operate as either a stepless or an ON/OFF unit. DA 74BC is relay-controlled.



432091 DA 74 adapter f. swivel shutter

Using the DA 74 adapter for swivel shutter, the DA 74 winch motor can be mounted on an axle diameter from 15–20 mm. The DA 74 adapter is ordered separately.

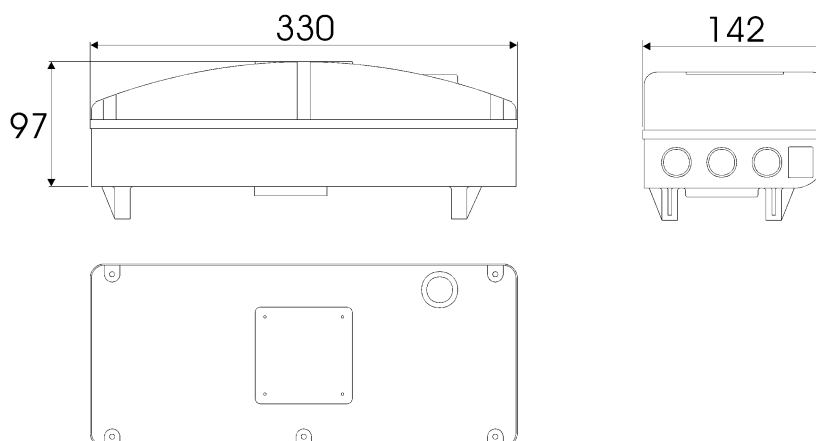
3 Technical data

Electrical	DA 74C	DA 74BC
Supply	24 V DC \pm 20%	24 V DC \pm 20%
Current consumption max.	0.1 A	0.15 A
O.C. (open collector) output max.	20mA - 30V DC	20mA - 30V DC
Feedback signal	0-10 V - impedance 2.2 k Ω	0-10 V - impedance 2.2 k Ω
Relay output max.	6.8A at 230V	6.8A at 230V
Mechanical		
Running time, unloaded	70 sec.	70 sec.
Run time max. load	90 sec.	120 sec.
Max. torque	24 Nm	24 Nm.
Cable knock-out punches	6 \varnothing 25.5 mm for M25 cable gland	6 \varnothing 25.5 mm for M25 cable gland
Environment		
Ambient temperature	-10°C to +45°C	-10°C to +45°C
Temperature, storage	-25°C to +60°C	-25°C to +60°C
Cabinet insulating cover	IP 65	IP 65
Shipment		
Dimension HxWxD	142x330x97 mm	480x330x97 mm
Dimensions when packed HxWxD	315x415x175 mm	315x415x175 mm
Shipping weight	2000 g	3200 g

3.1 Dimensioned sketch

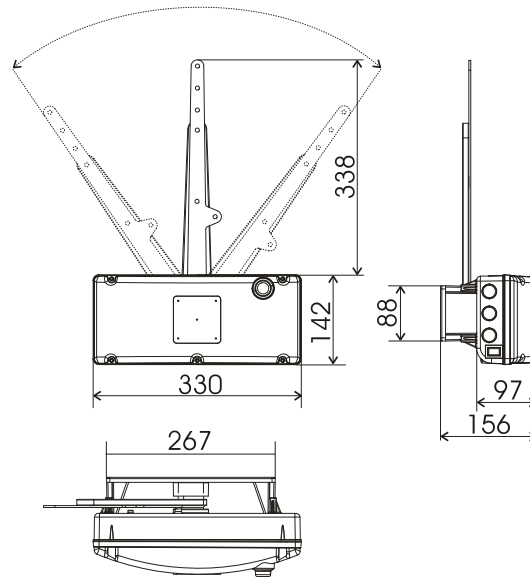
3.1.1 DA 74C

Dimensions in mm.



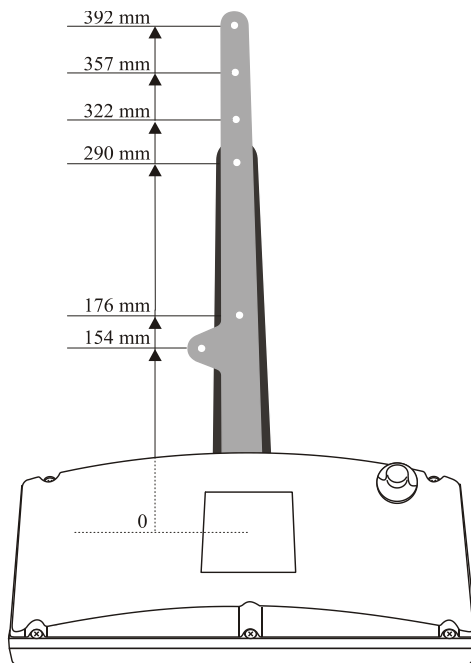
3.1.2 DA 74BC

Dimensions in mm.



3.1.2.1 Pull Length and tensile force

The measurements are from the center of the wall fitting arm.



Arm length [mm]	Max. tensile force [kg]	Tensile length [mm]
392	6.2	532
357	6.8	483
322	7.6	439
290	8.4	395
176	13.9	251
154	15.9	209

