

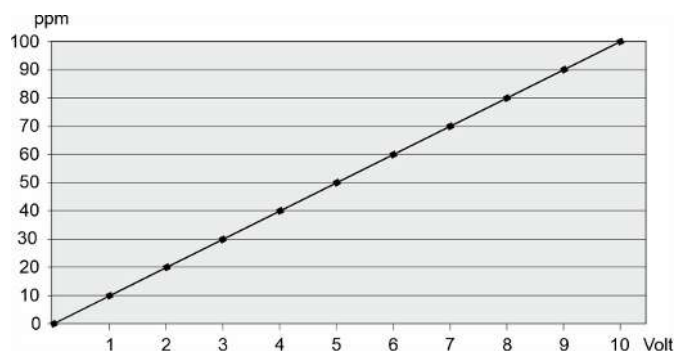
# DOL 53

## Ammonia sensor



The DOL 53 is an electro chemical sensor designed to measure ammonia levels in livestock houses. The sensor consists of a sensor element, a house and a dust filter. The sensor element (sensor head) and filter can be replaced as required, and the sensor element is supplied in a can for additional protection. Cable is included.

The sensor is meant for stationary mounting for continuous measuring of the ammonia concentration.



Functional graph.

## Product survey



### 140247 DOL 53 Ammonia sensor

DOL 53 measures the ammonia in the house's air.

Can be used for monitoring the ammonia level in the air.



### 140248 DOL 53 Replacement sensor head

Sensor element for DOL 53.



### 140236 DOL 53 dust filter (5 pcs.)

Dust filters for for DOL 51 and DOL 53. Set of 5 pieces.



### 140238 DOL 53 protection against water

Kit for protection against water spray for DOL 53.



### 140284 DOL 53 cable with connector (2 m)

2 meter wire with plug for DOL 53.



**140285 DOL 53 test equipment gas, complete**

Test equipment for NH<sub>3</sub> measurement with DOL 51 / DOL 53.



**140299 DOL 53 – test gas adapter**

**Technical data**

		<b>DOL 53, 0-10V, 0-100 ppm NH<sub>3</sub></b>	
Specification		Parameter	Unit
Output	Voltage range	0 – 10	VDC
NH <sub>3</sub>	Measurement range	0 – 100	ppm NH <sub>3</sub>
	Voltage resolution	0.1	V/ppm NH <sub>3</sub>
	Signal transmission resolution	0.5	ppm NH <sub>3</sub>
	Accuracy	1.5 ppm or ±10% of the measured value	ppm NH <sub>3</sub>
	Long term drift	< ±10% of the measured value	%
	Time constant: T50	≤ 30	sec.
Supply voltage		18 – 30	VDC
Supply current		< 10	mA
Temperature, operation		0 – +50	°C
Temperature, storage		-20 – +60	°C
Humidity		15 – 95	%RH
Pressure		700 – 1300	hPa
Max. storage time (sensor element)	See date on sensor can		
Warranty sensor element		2	years
Expected lifetime of sensor element	Not beyond the date on the sensor element type plate	3	years
IP classification	IP65 (DIN 40050-9)		
Cable length		2	m

		<b>DOL 53, 0-10V, 0-100 ppm NH<sub>3</sub></b>	
Cable conductor size	3 x 0.25 (3 x AWG23)	mm <sup>2</sup>	
Dimensions (diameter/width)	75	mm	
Dimensions (length)	155	mm	
Weight	500	g	
Approvals	CE UKCA		

### Dimensioned sketch

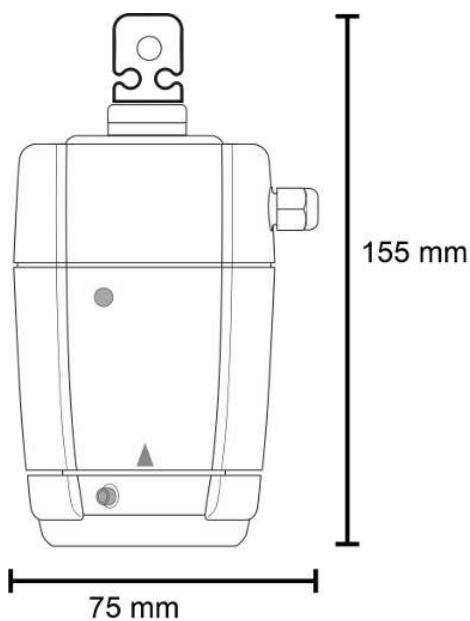


Figure 1: In mm.