

DA 10K Tunnel Inlet

Technical Info



1 Product description

DA 10K tunnel inlet is used as an air inlet in houses with Tunnel ventilation or Combi-Tunnel ventilation.

The tunnel inlet can be mounted directly in interior walls or exterior walls.

The tunnel inlet can be turned so that the inlet flaps open downwards or upwards.

The tunnel inlet is available both with high-insulated inlet flaps made from PVC (polyvinyl chloride) with insulation and with semi-insulated inlet flaps made from PVC (polyvinyl chloride).

The inlet is delivered with the inlet flaps installed. Regulation set is installed on-site.

Opening range into the house is 370 mm.

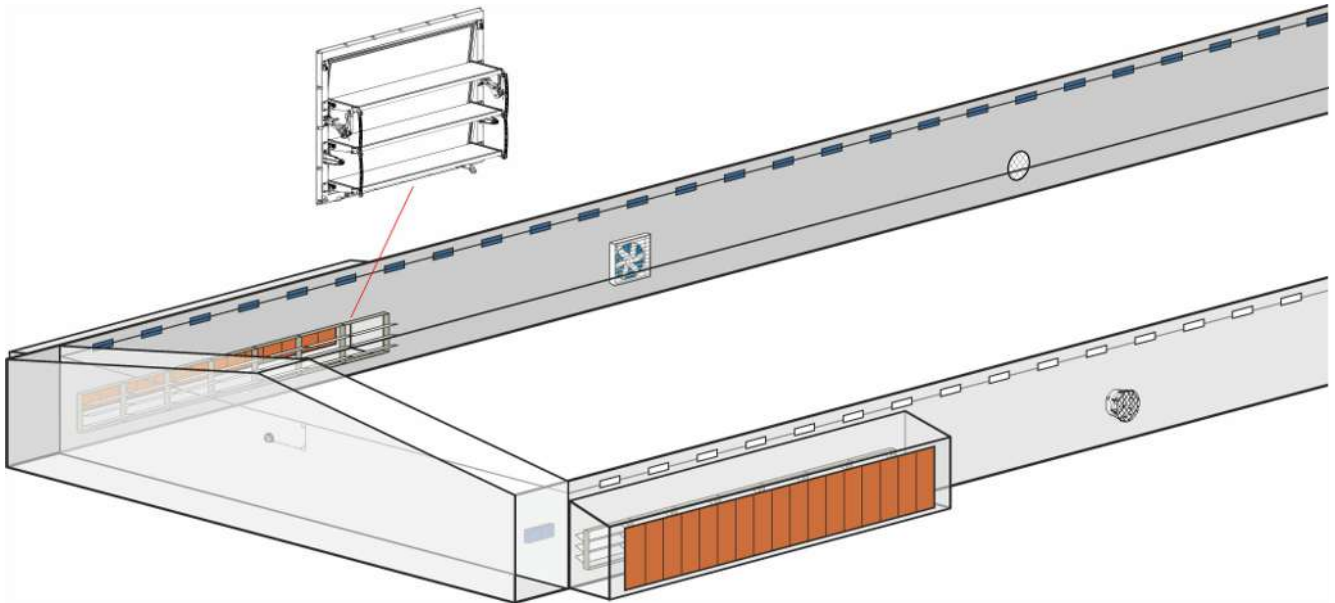


Figure 1: Drawing of tunnel inlet in 1 row.

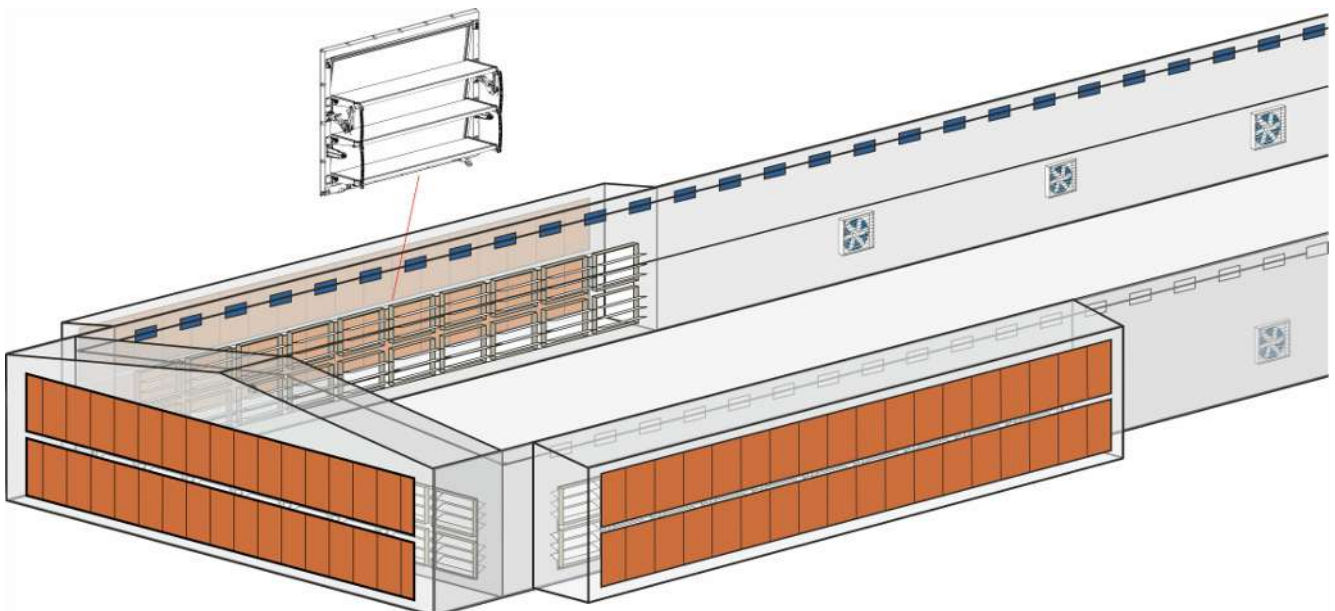


Figure 2: Drawing of tunnel inlet in 2 rows.

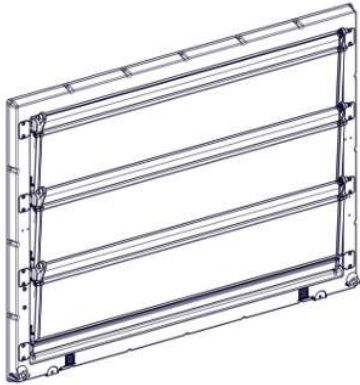
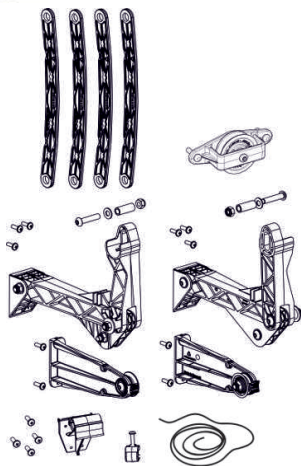
2 Product survey



433707 DA 10K tunnel inlet, highly insulated

DA 10K tunnel inlet with high insulating property is used for mounting on a wall where insulation is required.

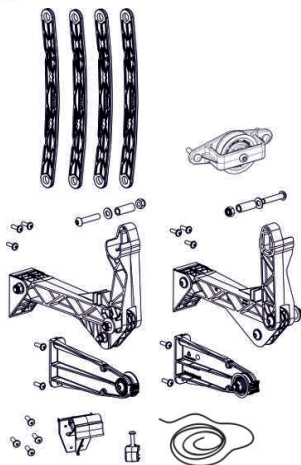
The mounting parts are used for assembling the tunnel inlet.



433708 DA 10K tunnel inlet, semi-insulated

DA 10K is used for mounting in walls with a minimum outside temperature over 5°C and where insulation is not necessary.

The mounting parts are used for assembling the tunnel inlet.



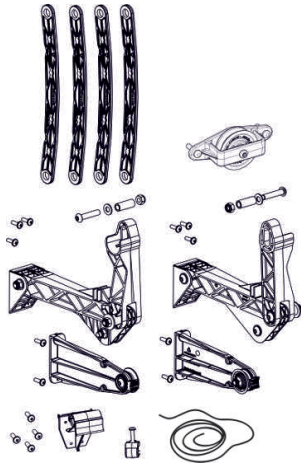


433713 DA 10K tunnel inlet, transparent

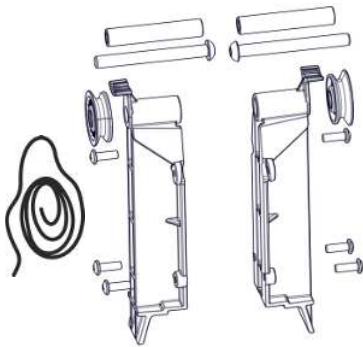
DA 10K transparent is used for installation in walls where insulation is not necessary.

DA 10K transparent can be used in areas where it is desirable for both an inlet feature and light in the livestock house.

The mounting parts are used for assembling the tunnel inlet.



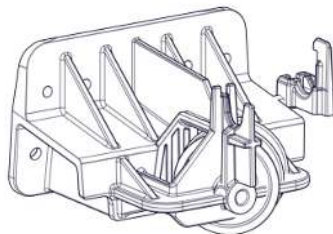
2.1 Accessories for pulling system above the tunnel inlet



433711 Tunnel inlet, support bracket

The bracket is used when the tunnel inlet is mounted inside the house, and a pulling system above the inlet is requested, contrary to the normal position below the inlet.

1 per inlet



433710 Wall inlet bracket for pull rod

The bracket is used when the tunnel inlet is mounted inside the house, and a pulling system above the inlet is requested, contrary to the normal position below the inlet.

2 per inlet.

2.2 Accessories



433702 Tunnel inlet screw kit

Used for mounting of the tunnel inlet.
Contains 24 4.8x70 tapping screws.

1 sets per inlet.



433709 DA 10K tunnel inlet, bird net

Net protects against birds.

Net size = 17x17 mm.

Dimensions = 1350x1006 mm

1 per inlet.



433719 DA 10K insulation plate

The plate is used to minimize draft and heat loss during cold periods, when DA 10K is not in use.

The plate should always be used if the dimensioned outside temperature is less than -10°C.

Supplied with mounting set and mounting guide.

1 per inlet.

3 Technical data

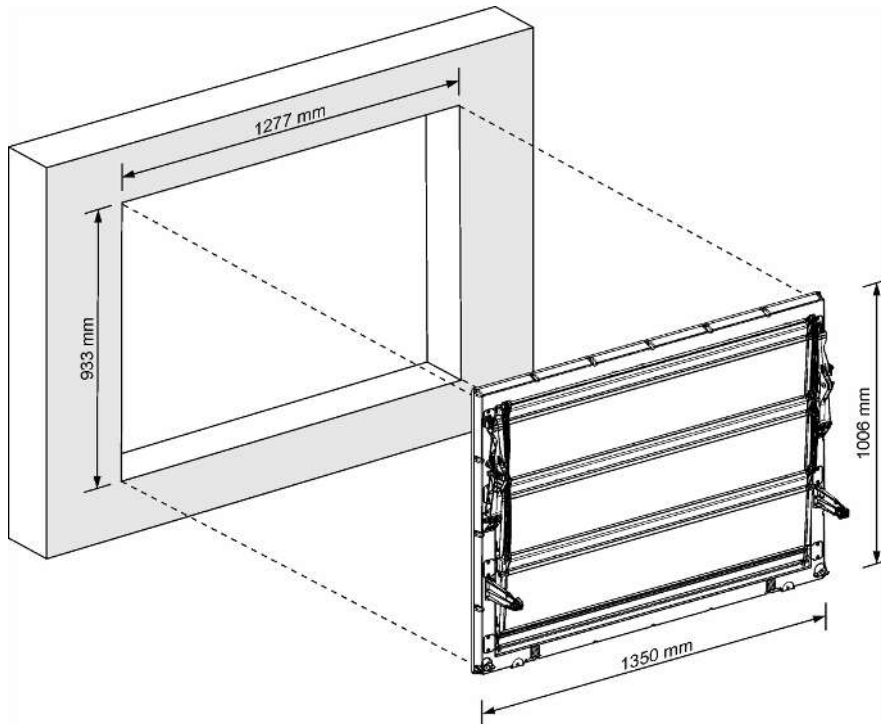
If the inlet is installed with a bird net, the air output decreases by 5%.

		Tunnel inlet highly insulated	Tunnel inlet semi insulated	Tunnel inlet transparent
Mechanical				
Material		PVC		
Springs		Stainless steel		
Color - inlet frame		RAL 7024 (grey)		
Color - inlet flap		RAL 9010 (white)	RAL 7035 (light gray)	Transparent
Net size	mm	900x1250 with 17x17 net		
Tensile force	N/kg	204/21		
Tensile length	mm	600		
Output				
		Inside position	Outside position	
Air output at - 5 Pa	m ³ /h	6700	6200	
Air output at - 10 Pa	m ³ /h	9400	8600	
Air output at - 20 Pa	m ³ /h	13600	12300	
Air output at - 30 Pa	m ³ /h	16800	15100	
Air output at - 40 Pa	m ³ /h	19600	17600	
Environment				
Temperature, operation	°C (°F)	-40 to +50 (-40 to +122)	+5 to +50 (+41 to +122)	+5 to +50 (+41 to +122)
Storage temperature	°C (°F)	-40 to +65 (-40 to +149) – and protected against direct sunlight.		
Ambient humidity, operation	% RH	0-95 % RH		
Light penetrable	%	36 % of the light goes through		
Shipment				
Dimensions HxWxD [mm] per layer	mm	1010x1350x125		
Weight per piece	kg	17.3	15.9	15.3
Number of inlets per pallet	pcs.	17		

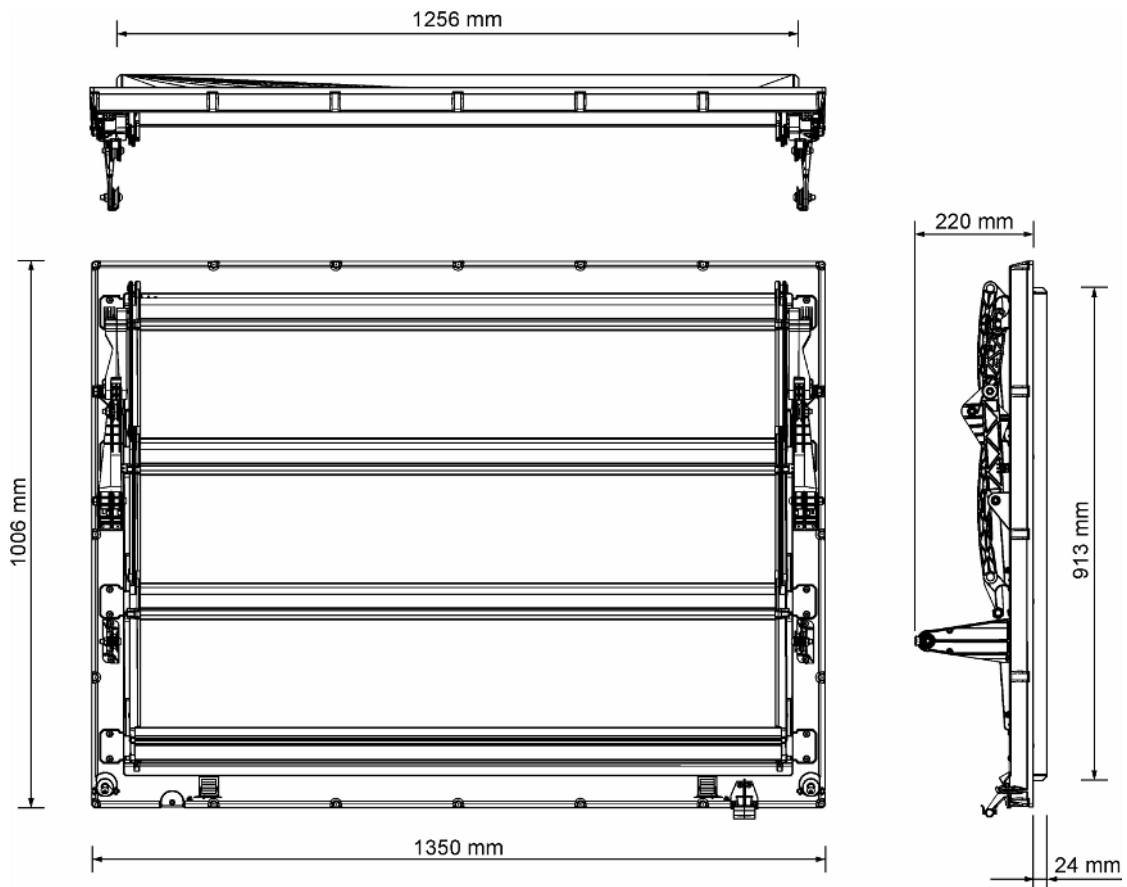
3.1 Dimensioned sketch

Dimensions in mm

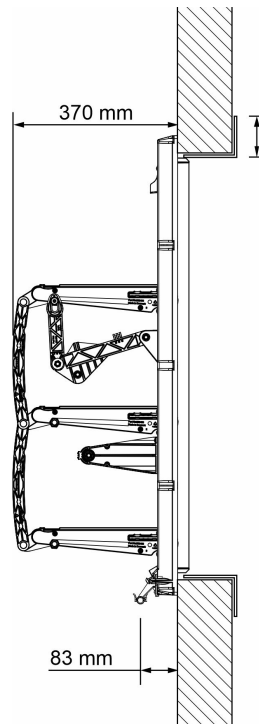
Hole dimensions for tunnel inlet.



Dimensions for tunnel inlet.



Dimensions for tunnel inlet mounted in the wall.



SKOV A/S • Hedelund 4 • Glyngøre • DK-7870 Roslev
Tel. +45 72 17 55 55 • www.skov.com • E-mail: skov@skov.dk

