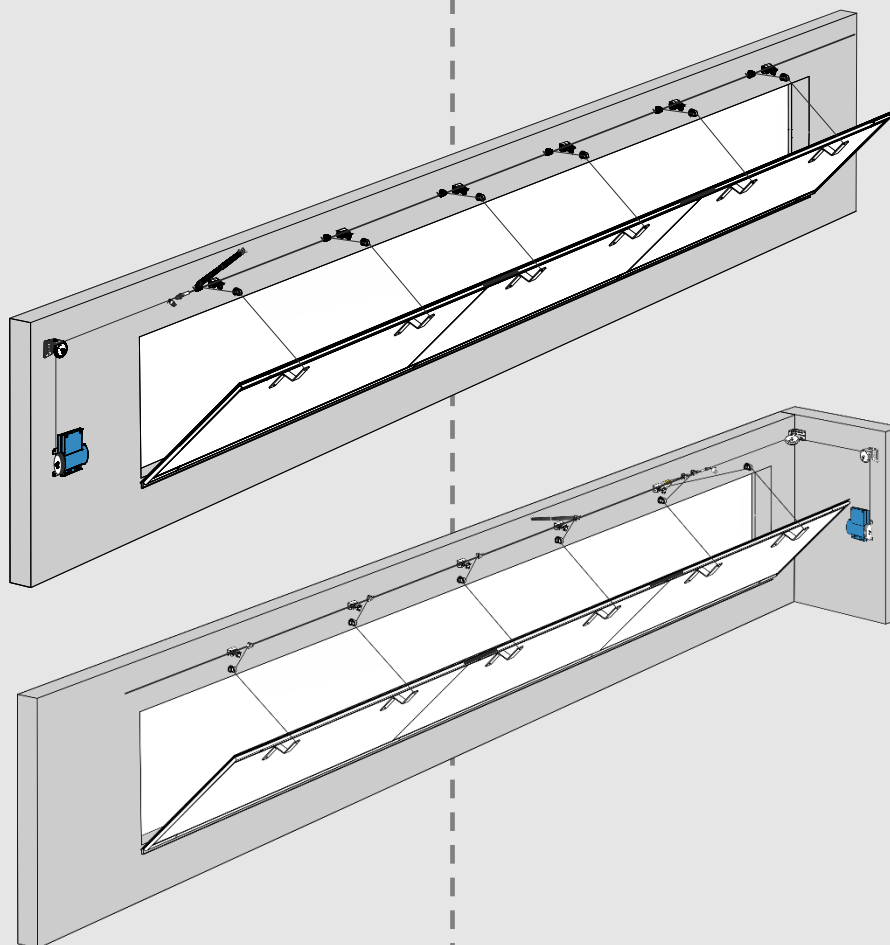


Tunnel Door Light

Technical Info



1 Product Description

The tunnel door light system for tunnel openings is a complete solution for making a proper, insulated and sealed door inside a cooling section or directly in the side wall, if no cooling.

It is typically a part of the SKOV Combi-Tunnel ventilation system.

1.1 Tunnel door light system with DA 75A motor set

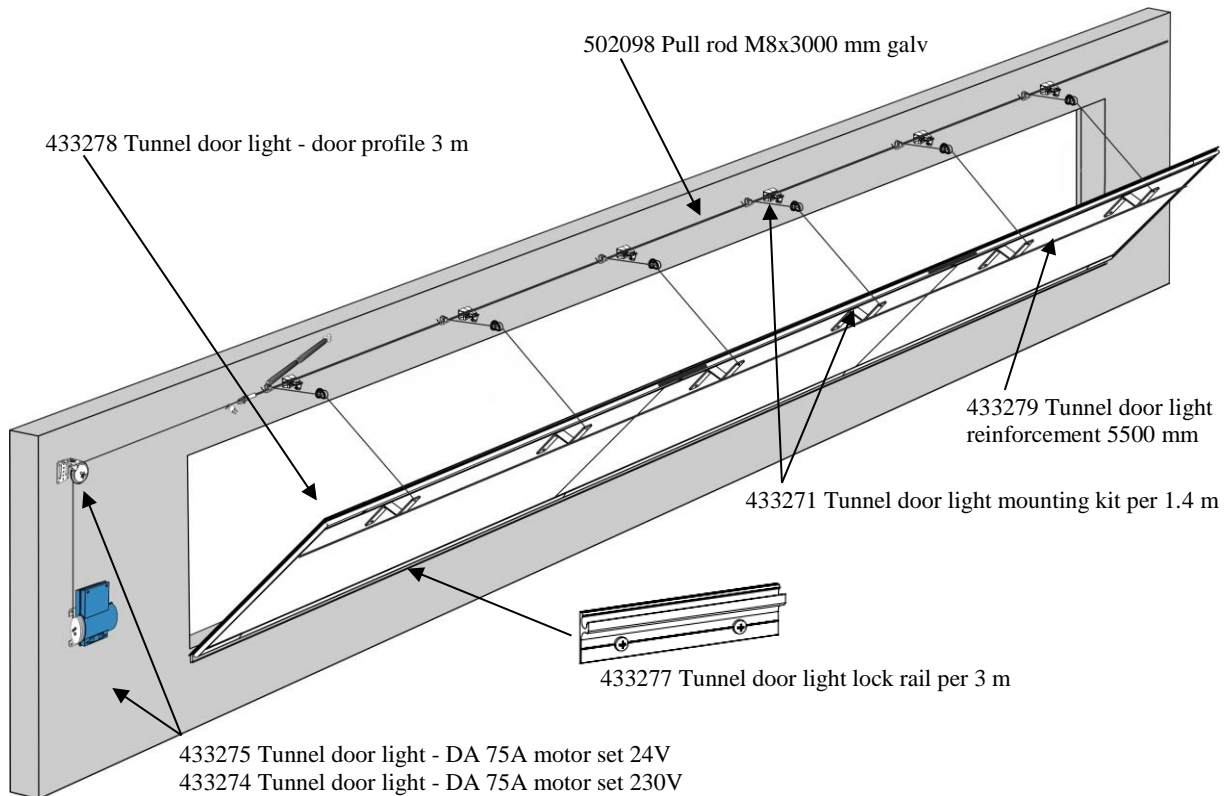


Figure 1: Simplified sketch of the main parts for SKOV's Tunnel door light system with DA 75A motor set.
(Door panel not included)

1.2 Tunnel door light system with DA 175-300 actuator and mounting set

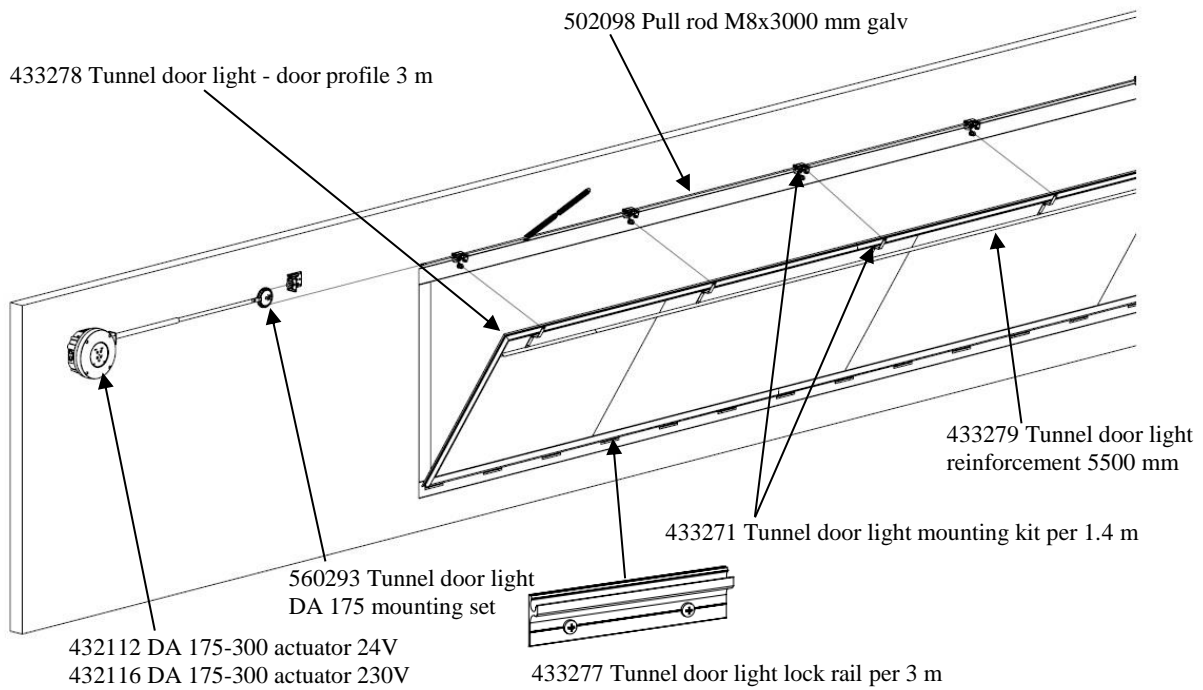
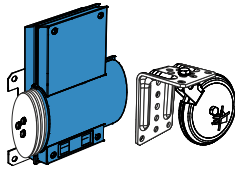


Figure 2: Simplified sketch of the main parts for SKOV's Tunnel door light system with DA 175-300 actuator and mounting set. (Door panel not included)

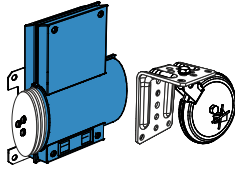
2 Product Survey

Tunnel door light



433274 Tunnel door light - DA 75A motor set 230V

Contains a DA 75A-6 winch motor 230 V, pulley, roller, coil spring, wire lock and various screws.



433275 Tunnel door light - DA 75A motor set 24V

Contains a DA 75A-6 winch motor 24 V, pulley, roller, coil spring, wire lock and various screws.



432116 DA 175-300 actuator 230V

Contains a DA 175-300 actuator 230V.

The tunnel door light DA 175 mounting set must be ordered separately.



432112 DA 175-300 actuator 24V

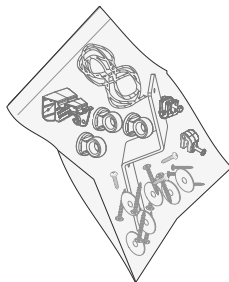
Contains a DA 175-300 actuator 24V.

The tunnel door light DA 175 mounting set must be ordered separately.



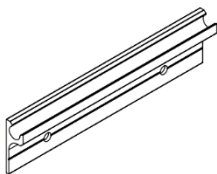
560293 Tunnel door light DA 175 mounting set

Contains a pulley, roller, coil spring, wire lock and various screws.



433271 Tunnel door light mounting kit per 1.4 m

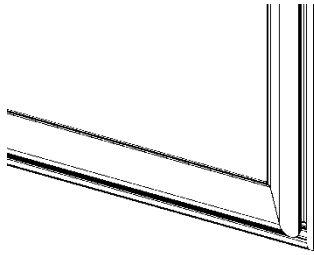
Contains an arm for the flap, a cord and pull rod holder, clips for the pull rod, a nylon cord and various screws.



433277 Tunnel door light lock rail per 3 m

Contains 7 lock rails of 150 mm, screws and raw plugs.

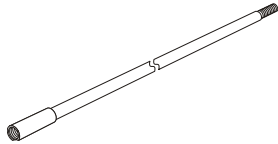
Tunnel door light



433278 Tunnel door light door profile 3 m

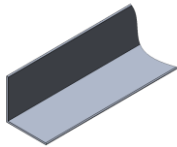
Contains a multi-edge profile, mounting glue, a pull rod piece and chipboard screws.

Door panels are not included.



502098 Pull rod M8x3000mm galv incl. sleeve

Contains a pull rod and a sleeve joint.



433279 Tunnel door light reinforcement 5500 mm

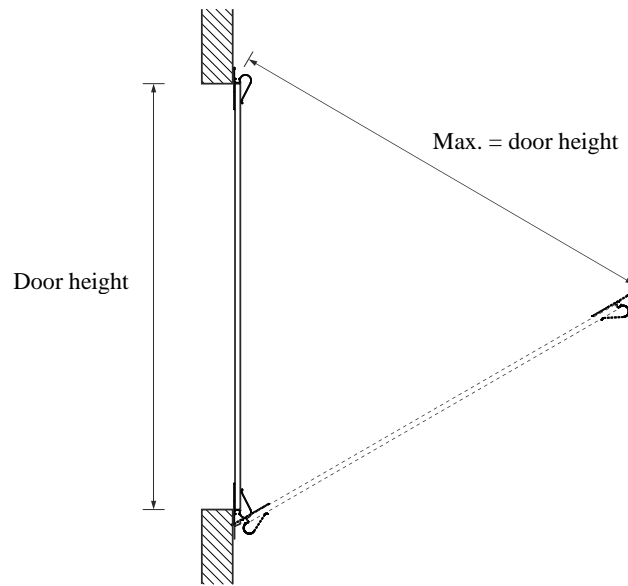
Contains an aluminium profile, screws, locknuts and washers.

The aluminium profile is used to reinforce door panels, if necessary.

If the S.G. (weight @ 1 m²) of board is less than or equal to 4.3 kg/m², it should be reinforced on the board with this aluminium profile and screws.

3 Technical Data

Tunnel door light



Door height	Max. 1.2 metre
-------------	----------------

Door thickness	10 – 25 mm
----------------	------------

Calculation of max. door length	$\frac{240}{(\text{specific gravity kg/m}^2 \times \text{door height in m})} = \text{max. door length in metre}$
---------------------------------	------------------------------------------------------------------------------------------------------------------