

iDOL 28R / DOL 28R Capacitive Relay-Sensor



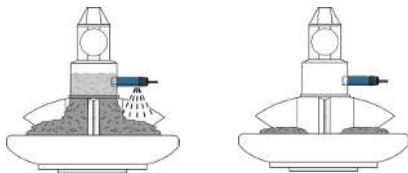
SmartAdjust



DOL 28R / iDOL 28R is a capacitive relay sensor for detection of feed, grain and solids in a feeding system. The sensor has relay output including switch function. The sensor has a white LED for illuminating the feed pan, a red LED indicating the status of the sensor and a green LED indicating it's powered on.

RELIABILITY

The sensor's electronics are completely embedded in a thermoplastic casing. This achieves a very high resistance to moisture and other external influences in aggressive environments. The sensor is CE, C-UL and UL approved and has a high immunity to noise from electric communication (e.g. from mobile phone) and transients (e.g. from motors and contactors). This makes the sensor very reliable and dependable in operation.

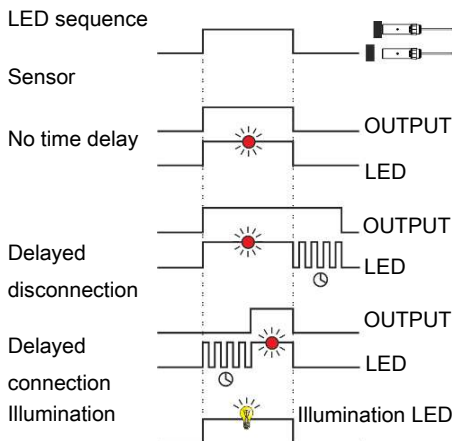


Adjustment of settings

DOL 28R / iDOL 28R series can be delivered with different functions. DOL 28R has two trimmers with different functions depending on its type.

iDOL 28R settings can be adjusted with the SmartAdjust app.

The actual functionality of the sensor is indicated on the product label.



Functional description

Delayed disconnection:

fixed delay *or* delay can be adjusted on the trimmer or via the SmartAdjust app.

Delayed connection:

fixed delay *or* delay can be adjusted on the trimmer or via the SmartAdjust app.

Sensitivity:

fixed distance *or* distance can be adjusted on the trimmer or via the SmartAdjust app.




MaxRun-timer:

DOL 28R Settings on the trimmer: Off, periode 1, periode 2
iDOL 28R adjustable 1-7200s via SmartAdjust app

Building-in

DOL 28R / iDOL 28R can be mounted in a plastic gland, which can also be supplied as a flange solution for external mounting. Likewise, the sensor is available with thread which provides several mounting options. When the sensor is to replace DOL 33, it is mounted using Adapter for DOL 40R/PG36 (140113).

Technical data

Electrical		
Supply voltage	V AC/DC	20 - 280
Frequency	Hz	47 - 63
Current consumption	VA	< 3
Light intensity at 0,3 m (1 ft.)	Lux	>100
Color temperature	Kelvin	4500 - 5000
Max. current through relay switch (ohmic load) 250 V AC	A	5
Max. current through relay contact (inductive load) 250 V AC	A	2
Min. relay current, 12 V DC	mA	100
Safety		Relay switches and supply voltage are galvanically separated. Test voltage 4 kV AC
Specifications		
Distance of activation		Adjustable 0-20 mm depending on material
Time delay		Adjustable time depending on variant
SmartAdjust		   Activated NFC required
Mechanical		
Sensor length	mm (inches)	117 (4 5/8)
Sensor diameter	mm (inches)	30 (1 3/16)
Cable dimensions	mm ² (AWG)	5x 0,5 (5 x 20)
Cable length	m (ft.)	2 (6.6)
Cable type		UL2517
Weight incl. cable	g (oz)	290 (10.2)
Environment		
Operating temperature	°C (°F)	-20 - +70 (-4 - +158)
Storage temperature	°C (°F)	-30 - +80 (-22 - +176)
Protection class	IP (NEMA)	IP69K (1, 3, 4, 6, 12, 13)
Approval		CE, C-UL & UL

Dimensions

